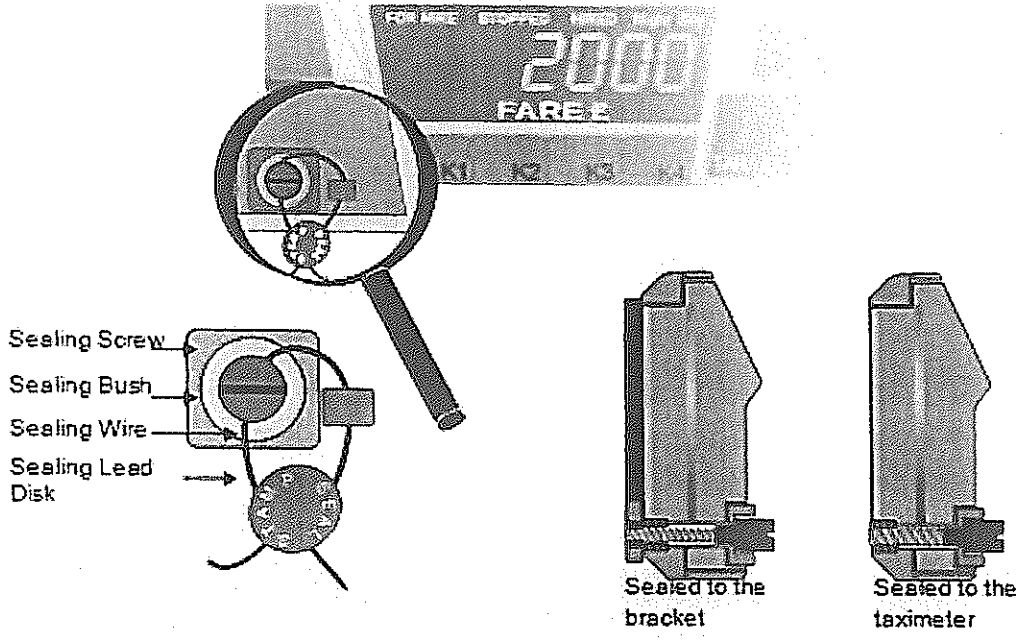


2. TECHNICAL SKETCH SHEET 2 (continued)



Special Way of Sealing

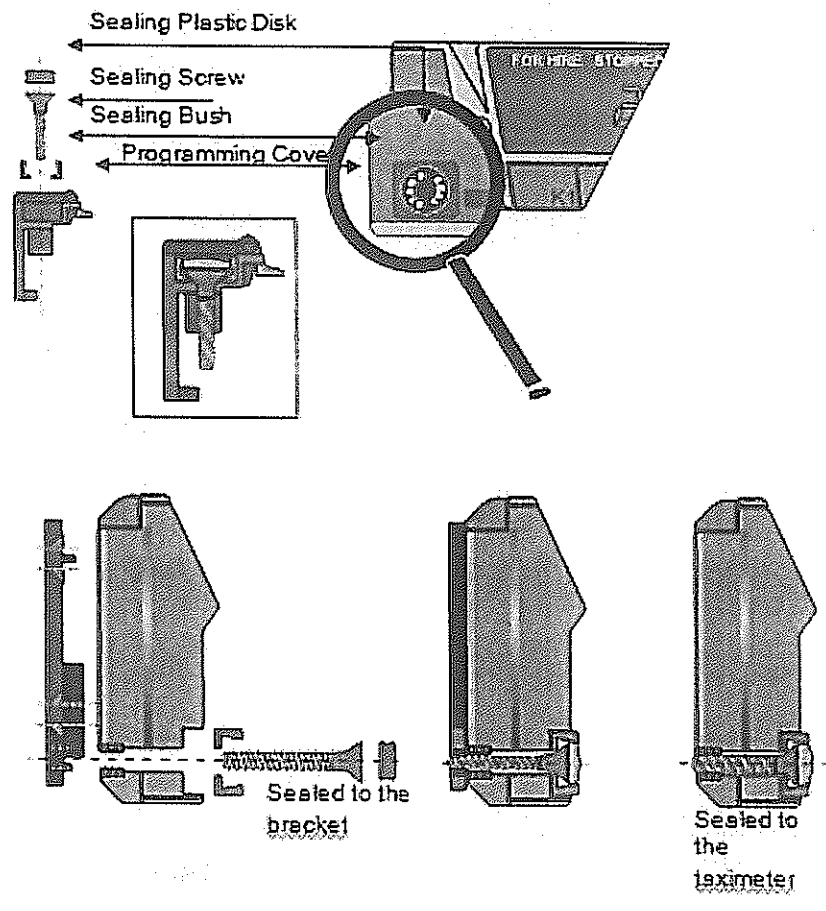
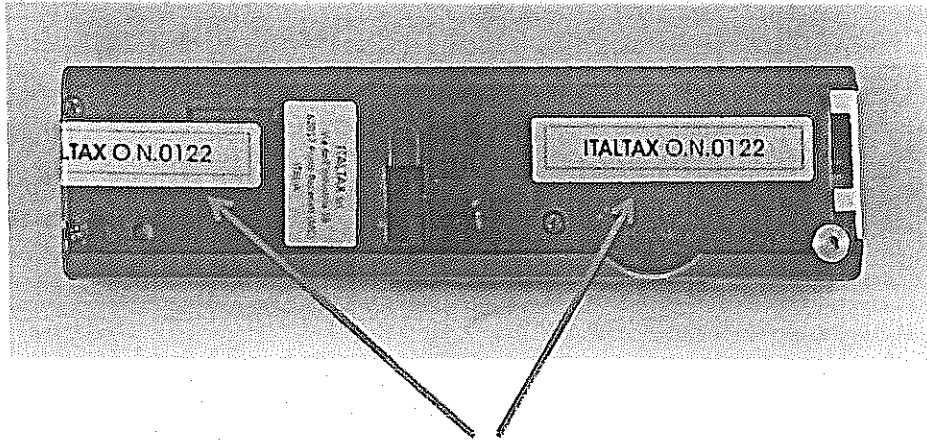


Figure 3 Sealing point



Nr 2 Anti-tampering labels

Figure 4 Manufacturer seals

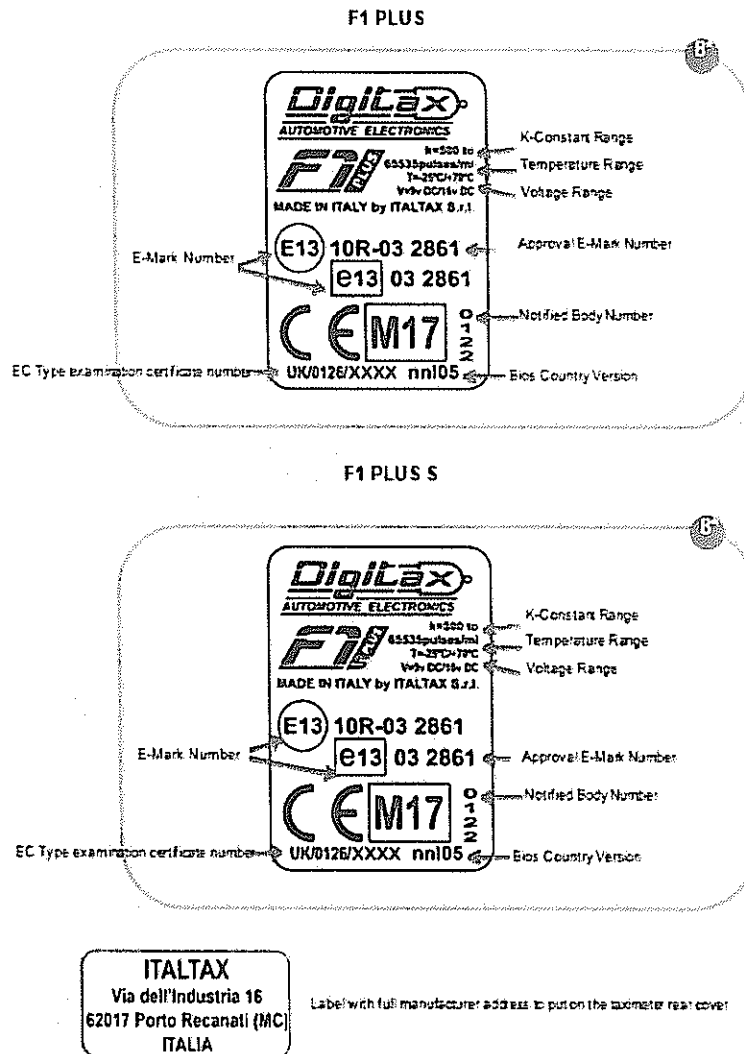


Figure 5 Markings (example)